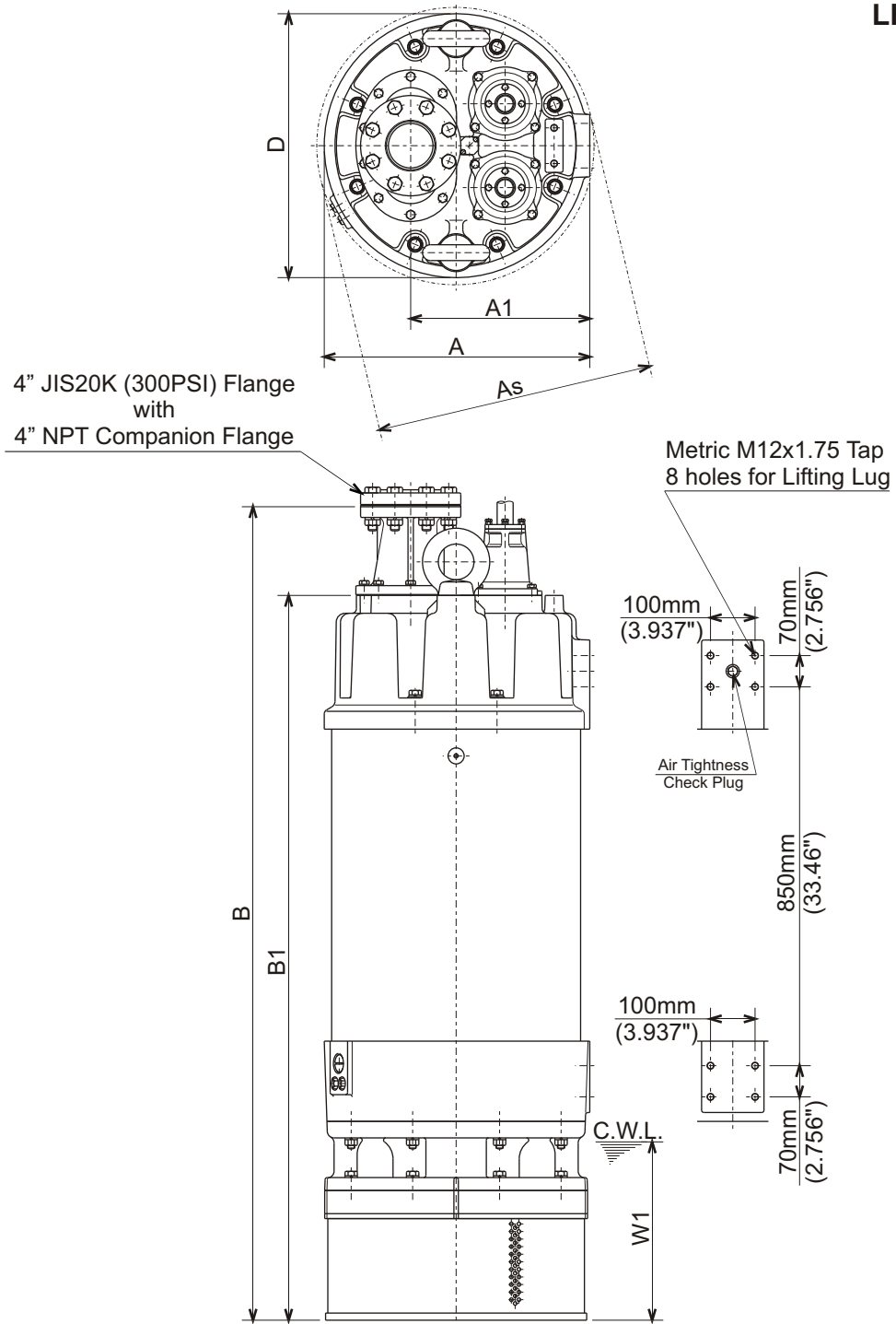




LH-W SERIES
HIGH HEAD - DEWATERING PUMPS

DIMENSIONS

LH4110W-61



C.W.L. : Continuous running Water Level

DIMENSIONS:USCS (Inch)

Model	HP	NOM. SIZE	Pump & Motor						C.W.L. W1	Wt. (lbs.)
			A	As	A1	B	B1	D		
LH4110W-61	150	4"	23 7/16	24 1/2	15 13/16	71 7/8	64	23 5/16	15 3/4	2800

DIMENSIONS:METRIC (mm)

Model	kW	NOM. SIZE	Pump & Motor						C.W.L. W1	Wt. (kg)
			A	As	A1	B	B1	D		
LH4110W-61	110	100	596	622	402	1825	1626	592	400	1270

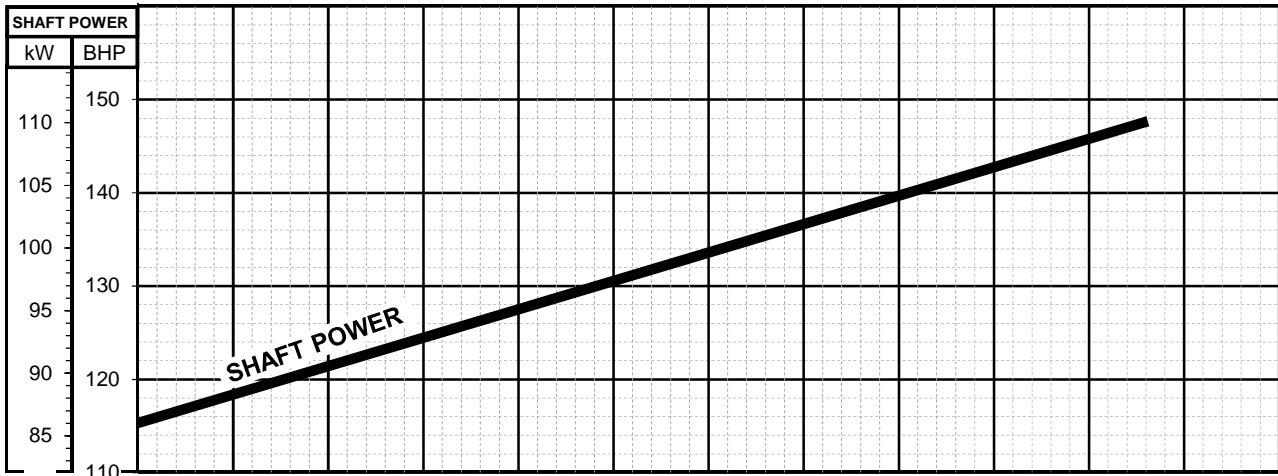
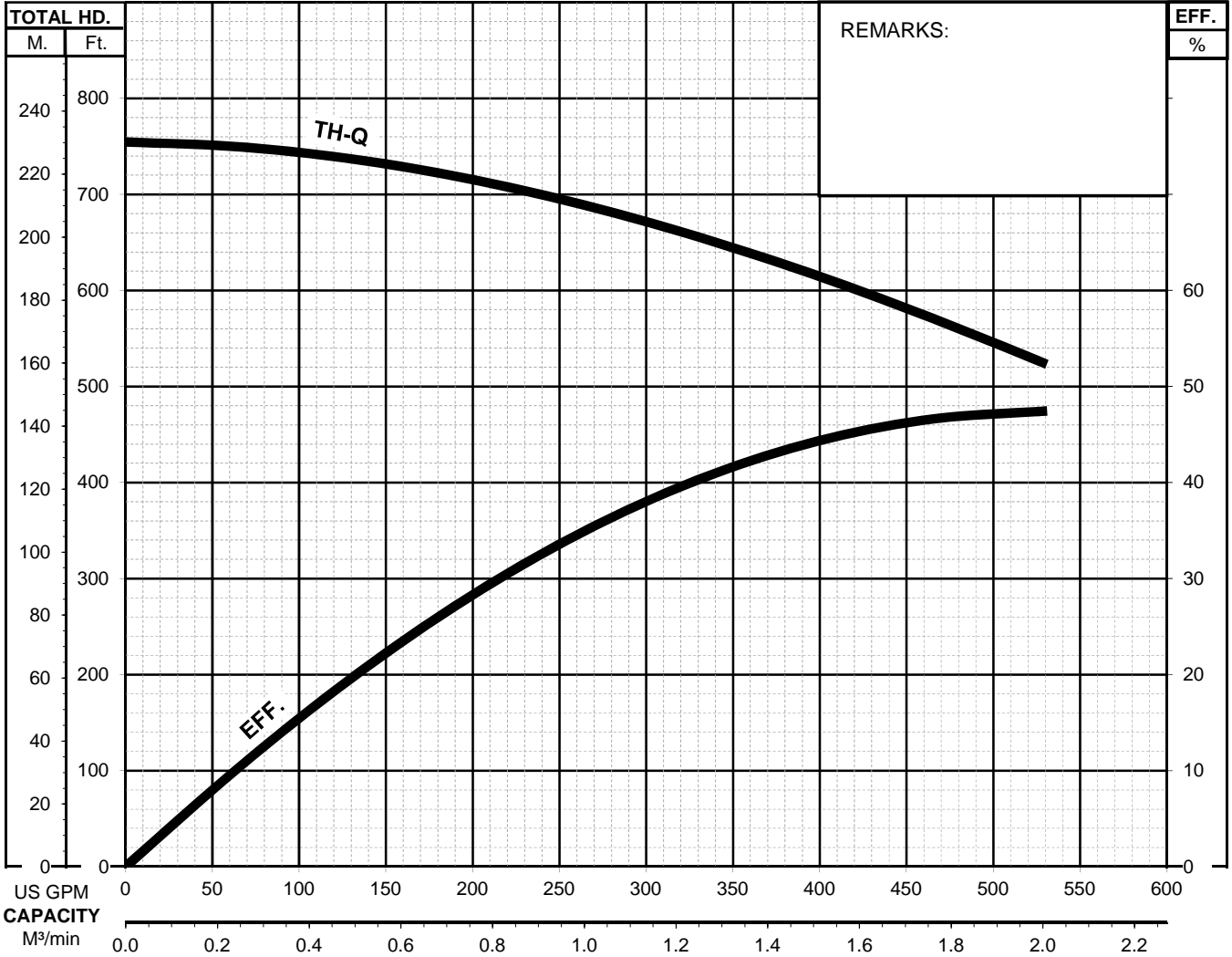


LH-W - SERIES

HIGH HEAD - DEWATERING PUMPS

PERFORMANCE
CURVE

MODEL	BORE	HP	KW	RPM	SOLIDS DIA.	LIQUID	SG.	VISCOSITY	TEMP.
LH4110W-61	4"/100mm	150	110	3570	0.315"/8mm	Water	1.0	1.123cSt.	60°F
PUMP TYPE	PHASE	VOLTAGE	AMPERAGE	HZ	STARTING METHOD	INS. CLASS			
Dewatering Pump	3	460 / 575	181 / 145	60	Star-Delta	F			
CURVE No.	DATE	PHASE	VOLTAGE	AMPERAGE	HZ	STARTING METHOD	INS. CLASS		
-	-	-	-	-	-	-	-		

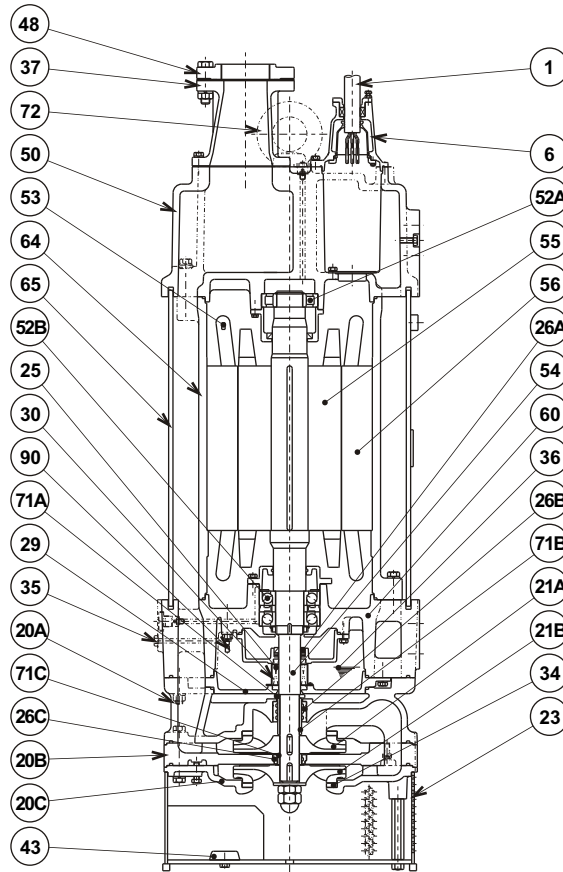




LH-W SERIES
HIGH HEAD - DEWATERING PUMPS

SECTIONAL VIEW

LH4110W-61



ITEM#	DESCRIPTION	MAIN MATERIAL / NOTE	RELATED ASTM, AISI CODE	RELATED EN CODE	QTY
1	Power Cable	Chloroprene Sheath AWG 1/3, 4/1, 14/3 -65f t			1
	Power Cable	Chloroprene Sheath AWG 1/3 -65f t			1
6	Stuffing Box	Cast Iron	A48M Class30B	EN 1561 GJL-200	2
20A	Upper Pump Casing	Cast Iron	A48M Class30B	EN 1561 GJL-200	1
20B	Middle Pump Casing	Cast Iron	A48M Class30B	EN 1561 GJL-200	1
20C	Lower Pump Casing	Cast Iron	A48M Class30B	EN 1561 GJL-200	1
21	Impeller	High Chrome Cast Iron	A532 Class III Type A	DN 1695 G-X260Q27	1
23	Suction Strainer	Steel (Cold Rolled)	A109/A 1008	EN 10130	1
25	Mechanical Seal	Silicon Carbide / H-50T			1
26A	Oil Seal	Nitrile Butadiene Rubber / SC-507210			1
26B	Labyrinth Ring (Upper)	Stainless Steel	S 17400	1.4542	1
26C	Labyrinth Ring (Lower)	Stainless Steel	S 17400	1.4542	1
29	Oil Casing	Cast Iron	A48M Class30B	EN 1561 GJL-200	1
30	Oil Lifter	Steel (Cold Rolled)	A109/A 1008	EN 10130	1
34	Suction Mouth	High Chrome Cast Iron	A532 Class III Type A	DN 1695 G-X260Q27	1
35	Oil Plug	Stainless Steel	S 30400	1.4301	2
36	Lubricant	Turbine Oil BO VG32 or SAE10W-20			
37	Flanged Discharge Pipe	Ductile Cast Iron / 4" JIS20K	A536 65-45-12	EN 1563 GJS-500-7	1
43	Cathodic Protection Plate	Aluminium Alloy			3
48	Companion Flange	Cast Iron / NPT 4"	A48M Class30B	EN 1561 GJL-200	1
50	Motor Head Cover	Cast Iron	A48M Class30B	EN 1561 GJL-200	1
52A	Upper Bearing	#NU312ECM			1
52B	Lower Bearing	#7313BECBMD w/ Spacer			1 set
53	Motor Protector				3
54	Shaft	Stainless Steel	S 42000	1.4028	1
55	Rotor				1
56	Stator				1
60	Bearing Housing	Cast Iron	A48M Class30B	EN 1561 GJL-200	1
64	Motor Housing	Cast Iron	A48M Class30B	EN 1561 GJL-200	1
65	Outer Cover	Steel	A283 Grade D	EN 10025 S275	1
71A	Shaft Sleeve (Upper)	Stainless Steel	S 17400	1.4542	1
71B	Shaft Sleeve (Middle)	Stainless Steel	S 17400	1.4542	1
71C	Shaft Sleeve (Lower)	Stainless Steel	S 17400	1.4542	1
72	Lifting Lug Bolt	Steel	A283 Grade D	EN 10025 S275	2
90	Leakage Sensor Electrode	Stainless Steel	S 30300	1.4305	1

PARTS LIST		HI-PRESSURE DEWATERING PUMP				6/15/2017
ITEM	PART No.	DESCRIPTION	QTY	SIZE	MATERIAL	NOTES
1	095-100-18	Chain	2	d5(9-Link)	SS	
2	011-101-19	Shackle	2	6mm	SS	
3	010-103-21	Cable Clip	4	No.4	SPC	
4	140-074-15	Hex.Bolt	6	M10x20	SUS304	
5	141-006-19	Hex.Nut	6	M10	SUS304	
6	009-113-17	Terminal	3	R-38-10	CU	included in Item#19 Cable Set
7	009-113-17	Terminal	3	R-38-10	CU	included in Item#20 Cable Set
8	009-168-17	Terminal	1	R-22-S6	CU	included in Item#20 Cable Set
9	009-116-10	Terminal	3	R-2-4	CU	included in Item#20 Cable Set
10	010-129-10	Cable Clip Rubber	2	115x100x2t	NBR	
11	140-056-53	Hex.Bolt	8	M8x30	SUS304	
12	141-005-47	Hex.Nut	8	M8(B=12)	SUS304	
13	003-106-19	Gland	2	No.5	FC	included in Items#19 and 20 Cable Set
14	004-113-12	Cable Bush	2	No.12	SBR	included in Items#19 and 20 Cable Set
15	006-103-28	Stuffing Box	2	No.5	FC	included in Items#19 and 20 Cable Set
16	140-076-17	Hex.Bolt	8	M10x30	SUS304	included in Items#19 and 20 Cable Set
17	142-164-19	Spring Washer	8	M10	SUS304	included in Items#19 and 20 Cable Set
18	122-264-18	O-Ring	2	140xd3.5	NBR	*
19	001-007-59	Cabtyre Cable Set (65') 60Hz(USA)	1	2PNCTF3Cx38mm2	No.5	
20	001-007-61	Cabtyre Cable Set (65') 60Hz(USA)	1	2PNCTFMulti-core7Cx38mm2	No.5	
21	008-105-13	Mould Cover	2	No.3	NBR	included in Items#19 and 20 Cable Set
22	003-149-14	Gland (Lower)	2	No.5	FC	included in Items#19 and 20 Cable Set
23	142-162-17	Spring Washer	8	M6	SUS304	included in Items#19 and 20 Cable Set
24	140-033-12	Hex.Bolt	8	M6x16	SUS304	included in Items#19 and 20 Cable Set
25	141-004-59	Hex.Nut	7	M6	SWRM	
26	009-108-19	Terminal	3	R-38-6	CU	included in Items#19 and 20 Cable Set
27	009-108-19	Terminal	3	R-38-6	CU	
28	140-029-28	Hex.Bolt	7	M6x10	SWRM	
29	002-115-18	Heat Shrink Tube (Sold per meter)	m	EVA(d16.5x1t)	(Vm)	
30	002-116-19	Heat Shrink Tube (Sold per meter)	m	A4(d20x0.35t)	(Vm)	
31	009-168-17	Terminal	1	R-22-S6	CU	included in Item#20 Cable Set
32	009-114-18	Connector	3	PC-4020M		included in Item#20 Cable Set
33	009-115-19	Connector	3	PC-4020F		included in Item#20 Cable Set
34	002-128-14	Heat Shrink Tube (Sold per meter)	m	EVA(d10x1t)	(Vm)	
35	002-164-12	Heat Shrink Tube (Sold per meter)	m	A4(d13x0.3t)	(Vm)	
36	009-108-19	Terminal	3	R-38-6	CU	
37	009-108-19	Terminal	3	R-38-6	CU	
38		Earth Terminal	1	AWG4x400L,G/Y		

PARTS LIST		HI-PRESSURE DEWATERING PUMP			6/15/2017	
ITEM	PART No.	DESCRIPTION	QTY	SIZE	MATERIAL	NOTES
39	143-000-58	Pan Screw (w/Spring Washer/Plain Washer)	1	M6x12	SWRM	
40	009-168-17	Terminal	2	R-22-S6	CU	
41	140-074-15	Hex.Bolt	3	M10x20	SUS304	
42	142-164-19	Spring Washer	3	M10	SUS304	
43	217-000-25	Fixing Plate	1	d60xd110x3T	SS	
44	016-000-12	Protection Bush 460V-60Hz(USA)	1		NBR	
	016-000-13	Protection Bush 575V-60Hz(USA)	1		NBR	
45	140-099-16	Hex.Bolt	10	M12x40	SUS304	
46	142-165-10	Spring Washer	10	M12	SUS304	
47	037-000-73	Discharge Pipe	1	JIS20Kx100mm(LH4110W)	FCD	
48	121-001-78	Packing	1	LH-90/110 (10Hole)	NAS	* interchangeable with OLD item# 121-145-19
49	140-032-11	Hex.Bolt	2	M6x15	SUS304	
50	142-162-17	Spring Washer	2	M6	SUS304	
51	214-000-11	Blind Cover	1		SS	
52	121-001-57	Packing	1		NBR	*
53	148-000-01	Grease Nipple	1	A-PT1/4	SUS304	
54	016-000-14	Protection Bush	1		NBR	
55	072-000-32	Eye Bolt	2	M42 ,B	SF	
	142-000-92	Washer		d45xd85x0.5T	SS	
56	035-102-30	Oil Plug	1	M12x16(B=21)	SUS304	
57	122-259-10	O-Ring	1	12xd3	NBR	*
58	140-136-16	Hex.Bolt	8	M16x110	SUS304	
59	142-000-93	Washer	8	M16(d17xd33.5x5T)	SUS304	
60	142-166-11	Spring Washer	8	M16	SUS304	
61	121-001-56	Seal Packing	8	d15.3xd26x4t	NBR	*
62	050-001-14	Motor Bracket	1		FC	
63	146-034-11	Retaining Ring	1	C60	SK5	
64	052-000-71	Bearing	1	NU312ECM		
65	026-273-19	Oil Seal	1	SC-8010513	NBR	
66	113-000-11	Upper Bearing Grease Pan	1	LH6110/8110-51/61	FC	
67	142-163-18	Spring Washer	4	M8	SUS304	
68	140-055-10	Hex.Bolt	4	M8x25	SUS304	
69	122-000-22	O-Ring	1	V-530(524.5xd10)	NBR	*
70	065-000-64	Outer Cover	1		SS	
71	122-000-22	O-Ring	1	V-530(524.5xd10)	NBR	*
72	055-003-01	Rotor	1Set			
73	147-000-60	Impeller Key	2	12x8x36L	SUS420J2	
74	056-008-21	Stator 460V-60Hz(USA)	1Set	w/key,w/Miniature Protector		

PARTS LIST		HI-PRESSURE DEWATERING PUMP			6/15/2017	
ITEM	PART No.	DESCRIPTION	QTY	SIZE	MATERIAL	NOTES
	056-008-22	Stator 575V-60Hz(USA)	1Set	w/key,w/Miniature Protector		
75	122-000-57	O-Ring	1	AS568-384(380.37xd5.33)	NBR	*
76	064-001-33	Motor Frame	1		FC	
77	140-132-12	Hex.Bolt	8	M16x80	SUS304	
78	142-166-11	Spring Washer	8	M16	SUS304	
79	122-000-57	O-Ring	1	AS568-384(380.37xd5.33)	NBR	*
80	121-001-58	Packing	1	5x6x250L	Felt	*
81	062-000-24	Bearing Cover	1		FC	
82	140-076-17	Hex.Bolt	4	M10x30	SUS304	
83	142-164-19	Spring Washer	4	M10	SUS304	
84	061-000-18	Bearing Collar	1	d95xd139x3.2t(7313)	SS	
85	052-000-72	Bearing	2	7313BECBM		
86	071-000-51	Inner Ring Spacer	1	7313BECBM	S45C	
87	071-000-50	Outer Ring Spacer	1	7313BECBM	S45C	
88	142-246-29	Bearing Washer	1	AW13	SUS304	
89	141-078-25	Bearing Nut	1	AN13	SUS304	
90	060-001-77	Bearing Housing	1		FC	
91	148-000-01	Grease Nipple	1	A-PT1/4	SUS304	
92	122-024-14	O-Ring	1	P-25(24.7xd3.5)	NBR	*
93	144-000-64	Grease Plug	1	M25xP1.5	SUS304	
94	122-259-10	O-Ring	2	12xd3	NBR	*
95	035-102-30	Oil Plug	2	M12x16(B=21)	SUS304	
96	121-001-63	Packing	8	d15.8xd22x2.5t	NBR	*
97	144-439-14	Stud Bolt	8	M16x60(28/20)	SUS304	
98	090-122-11	Leakage Sensor (Electrode)/w Gland	1Set	d9x43L	SUS	
99	003-151-19	Gland (for Leak Sensor)	1		SPC	
100	142-161-16	Spring Washer	2	M5	SUS304	
101	140-021-17	Hex.Bolt	2	M5x20	SUS304	
102	026-274-10	Oil Seal	1	SC-507212	NBR	
103	071-000-52	Grease Pan Spacer	3	d53xd72x3.2t	SS	
104	122-153-13	O-Ring	1	G-220(219.3xd5.7)	NBR	*
105	113-000-12	Lower Bearing Grease Pan	1	LH6110/8110-51/61	FC	
106	142-164-19	Spring Washer	4	M10	SUS304	
107	140-076-17	Hex.Bolt	4	M10x30	SUS304	
108	025-000-65	Mechanical Seal	1	H-50TX(E)	SIC	
109	030-133-19	Oil Lifter	1	H-50(T)	SPCC	
110	143-028-13	Pan Screw	3	M5x10	SWRM	
111	122-270-17	O-Ring	1	350xd5.7	NBR	*

PARTS LIST		HI-PRESSURE DEWATERING PUMP			6/15/2017	
ITEM	PART No.	DESCRIPTION	QTY	SIZE	MATERIAL	NOTES
112	029-174-21	Oil Casing	1	GH-1100	FC	
113	142-165-10	Spring Washer	8	M12	SUS304	
114	140-097-14	Hex.Bolt	8	M12x30	SUS304	
115	122-270-17	O-Ring	1	350xd5.7	NBR	*
116	071-000-53	Shaft Sleeve (Upper)	1	d45xd70x8t	SUS630	
117	071-000-54	Shaft Sleeve (Middle)	1	d45xd55x85	SUS630	
118	122-271-18	O-Ring	1	540xd5.7	NBR	*
119	020-003-15	Pump Casing (Upper)	1	LH4110W-51/61(w/Mouth Ring, Labyrinth Ring)	FC	
120	142-166-11	Spring Washer	8	M16	SUS304	
121	141-008-11	Hex.Nut	8	M16	SUS304	
122	141-008-11	Hex.Nut	8	M16	SUS304	
123	142-166-11	Spring Washer	8	M16	SUS304	
124	122-271-18	O-Ring	1	540xd5.7	NBR	*
125	040-127-11	Impeller Shim		d45.2xd68x0.3t	SUS304	
126	021-009-52	Impeller (Upper,50Hz)	1	LH4110W-51	HiCrFC	50Hz OPTION
126	021-009-54	Impeller (Upper,60Hz)	1	LH4110W-61	HiCrFC	
127	071-000-55	Shaft Sleeve (Lower)	1	d45xd55x25.5	SUS630	
128	020-003-16	Pump Casing (Middle)	1	LH4110W-51/61(w/Labyrinth Ring)	FC+SUS630	
129	144-437-12	Stud Bolt	8	M16x50(28/20)(JIS)	SUS304	
130	121-001-63	Packing	8	d15.8xd22x2.5t	NBR	*
131	121-001-63	Packing	8	d15.8xd22x2.5t	NBR	*
132	144-437-12	Stud Bolt	8	M16x50(28/20)(JIS)	SUS304	
133	140-299-18	Hex.Socket Cap Bolt	4	M12x20	SUS304	
134	122-271-18	O-Ring	1	540xd5.7	NBR	*
135	040-127-11	Impeller Shim		d45.2xd68x0.3t	SUS304	
136	021-009-53	Impeller (Lower,50Hz)	1	LH4110W-51	HiCrFC	50Hz OPTION
136	021-009-55	Impeller (Lower,60Hz)	1	LH4110W-61	HiCrFC	
137	020-003-17	Pump Casing (Lower)	1	LH4110W-51/61(w/Mouth Ring)	FC+HiCrFC	
138	142-000-95	Impeller Washer	1	d33xd75x8t	SUS304	
139	141-012-50	Hex.Nut	1	M30(H=18)	SUS304	
140	141-036-18	Hex.Cap Nut	1	M30	SUS304	
141	142-166-11	Spring Washer	8	M16	SUS304	
142	141-008-11	Hex.Nut	8	M16	SUS304	
143	140-099-32	Hex.Bolt	4	M12x40	SUS304	
144	144-000-83	Stud Bolt	4	M16x188(24/24)	SUS304	
145	141-007-10	Hex.Nut	3	M12	SUS304	
146	142-129-12	Plain Washer	3	M12	SUS304	
147	142-165-10	Spring Washer	3	M12	SUS304	

PARTS LIST		HI-PRESSURE DEWATERING PUMP			6/15/2017	
ITEM	PART No.	DESCRIPTION	QTY	SIZE	MATERIAL	NOTES
148	043-102-19	Cathodic Protection Plate	3	AB-1HS(75x70x20t)	Al	
149	023-001-79	Strainer Stand	1	LH4110W-51/61	SPCC	
150	140-097-14	Hex.Bolt	3	M12x30	SUS304	
151	141-008-11	Hex.Nut	4	M16	SUS304	
152	140-155-11	Hex.Bolt	8	M20x85	SUS304	
153	048-273-17	Screwed Flange	1	NPT-4(JIS20K)	FC	
154	121-579-16	Packing	1	JIS20Kx100mm	NR	
155	142-168-13	Spring Washer	8	M20	SUS304	
156	141-009-12	Hex.Nut	8	M20	SUS304	
	173-003-43	Packing O-Ring Set	1Set	(Marked by *)		
18	122-264-18	O-Ring (S.Box)	2	140xd3.5	NBR	*
48	121-145-19	Packing (Discharge Pipe)	1	GH-370	NBR	*
52	121-001-57	Packing (Blind Cover)	1		NBR	*
57	122-259-10	O-Ring (Air Tightness Test Plug)	1	12xd3	NBR	*
61	121-001-56	Seal Packing (M.Bracket Bolt)	8	d15.3xd26x4t	NBR	*
69	122-000-22	O-Ring (M.Bracket/Out.Cover)	1	V-530(524.5xd10)	NBR	*
71	122-000-22	O-Ring (Out.Cover/M.Frame)	1	V-530(524.5xd10)	NBR	*
75	122-000-57	O-Ring (M.Bracket/M.Frame)	1	AS568-384(380.37xd5.33)	NBR	*
79	122-000-57	O-Ring (M.Frame/Brq.Housing)	1	AS568-384(380.37xd5.33)	NBR	*
80	121-001-58	Packing (Bearing Collar)	1	5x6x250L	Felt	*
92	122-024-14	O-Ring (Grease Plug)	1	P-25(24.7xd3.5)	NBR	*
94	122-259-10	O-Ring (Oil Plug)	2	12xd3	NBR	*
96	121-001-63	Packing (Upp. P.Casing Bolt)	8	d15.8xd22x2.5t	NBR	*
104	122-153-13	O-Ring (Brq.Housing/Grease Pan)	1	G-220(219.3xd5.7)	NBR	*
111	122-270-17	O-Ring (Brq.Housing/O.Casing)	1	350xd5.7	NBR	*
115	122-270-17	O-Ring (O.Casing/Upp. P.Casing)	1	350xd5.7	NBR	*
118	122-271-18	O-Ring (Brq.Housing/Upp. P.Casing)	1	540xd5.7	NBR	*
124	122-271-18	O-Ring (Upp. P.Casing/Mid. P.Casing)	1	540xd5.7	NBR	*
130	121-001-63	Packing (Mid. P.Casing Bolt)	8	d15.8xd22x2.5t	NBR	*
131	121-001-63	Packing (Low. P.Casing Bolt)	8	d15.8xd22x2.5t	NBR	*
134	122-271-18	O-Ring (Mid. P.Casing/Low. P.Casing)	1	540xd5.7	NBR	*
		Lubricant		Turbine Oil VG32 7,800ml		

PARTS LIST		HI-PRESSURE DEWATERING PUMP				6/15/2017
ITEM	PART No.	DESCRIPTION	QTY	SIZE	MATERIAL	NOTES

EXPLODED VIEW

LH4110W-61

